

Long Span Accessories

Optowire Thimble clevis TC

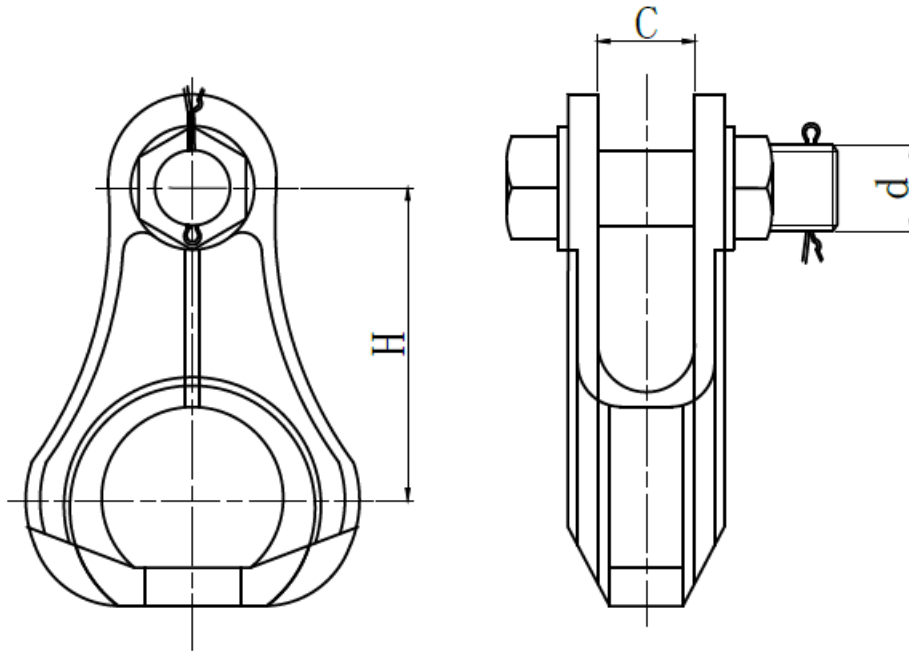
The TC insert ring is made of Magang, which has high strength and toughness, high vibration damping and good elongation. Malleable iron generally refers to malleable cast iron, cast iron with a certain chemical composition into a white blank, and then annealed cast iron, which has higher strength, plasticity and impact toughness, and can partially replace carbon steel.

The TC insert ring is made of Magang, which has high strength and toughness, high vibration damping and good elongation. Malleable iron generally refers to malleable cast iron, cast iron with a certain chemical composition into a white blank, and then annealed cast iron, which has higher strength, plasticity and impact toughness, and can partially replace carbon steel.



Product Description

Model	Tension strength	Main Dimensions (mm)			Weight (kg)
		H	C	D	
TC - 50	50 KN	51	18	M14	0.54
TC - 70	70 KN	40	23	M16	0.90
TC - 120	120 KN	50	24	M16	1.30
TC - 160	160 KN	62	28	M18	1.70



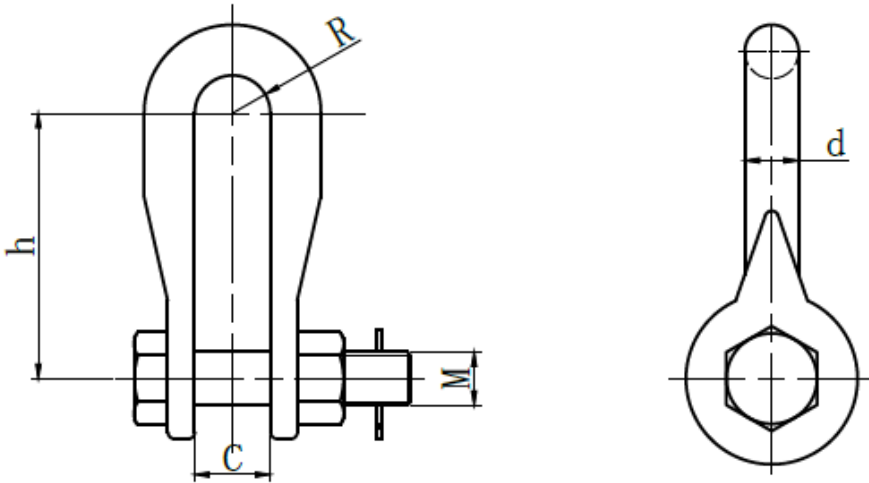
Long Span Accessories

Optowire U shackle

Bow shackle mainly used to hook tension & suspension to the fastening clamp in the pole. Made from steel, hot dipped galvanized follow ASTM-A123 standard.

The U shackle is made of forged steel, has a wide range of uses. It can be used alone or in two series.

The U shackle includes U- shaped and UL-shaped.



Product Description

Model	Tension strength	Main Dimensions (mm)					Weight (kg)
		C	M	D	H	R	
U-7	70 KN	20	16	16	60	10	0.44
U-10	100 KN	22	18	18	70	11	0.54
U-12	120 KN	24	22	20	80	12	0.96
U-16	160 KN	26	24	22	90	13	1.47
U-20	200 KN	30	26	24	100	15	2.2
U-25	250 KN	34	30	26	110	17	2.79
U-30	300 KN	38	36	30	130	19	3.75

Long Span Accessories

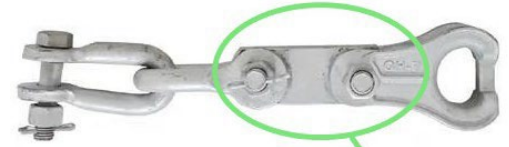
Optowire PD

PD clevis belongs to link fittings, used to connect both single board to single board and single board to double board. It can only change the assembly length, not the connection direction.

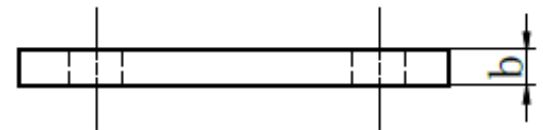
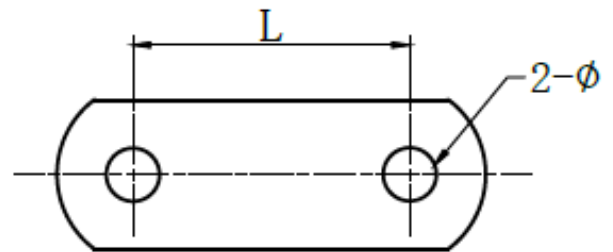
PD clevis can be used for assembling ADSS and OPGW tension set. It connects thimble clevis and U shackle to increase the connection length.

PD extension clevis are mostly made of medium-thick steel by stamping and cutting processes.

There are two mounting holes at both ends, hot dip galvanization with strong corrosion resistance. In order to ensure the accurate dimension of products, we use fully-automatic equipment & machines, and accordance with national standards.



PD extension clevis



Product Description

Model	Tension strength	Main Dimensions (mm)			Weight (kg)
		b	Diameter	L	
PD-7	70 KN	16	18	70	0.45
PD-10	100 KN	16	20	80	0.67
PD-12	120 KN	16	24	100	0.94